

AZV

310 313 317 321
516 521 526 531

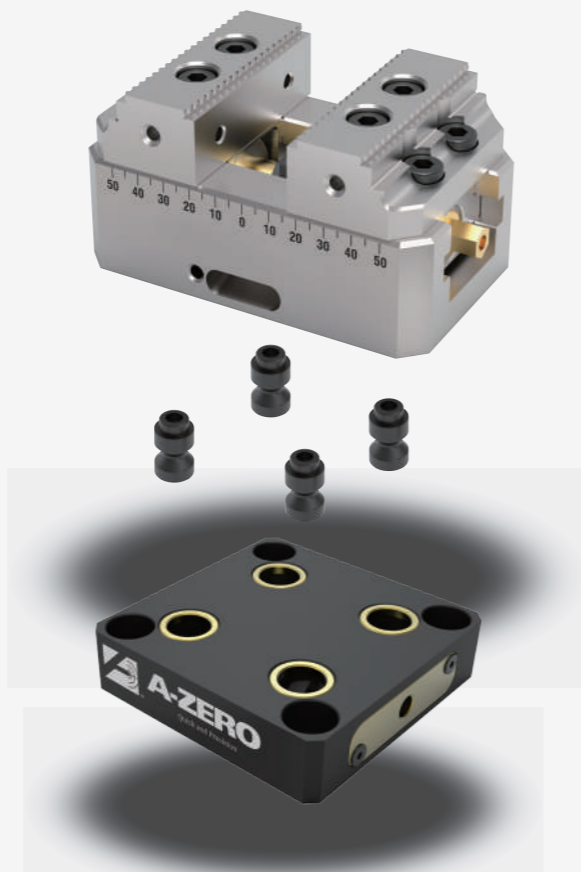
WELLOCK 5 AXIS MACHINE VISE

Fit well with 5 Axis MC machine center, horizontal and vertical machine center. It can work with rotary machine and related machine.

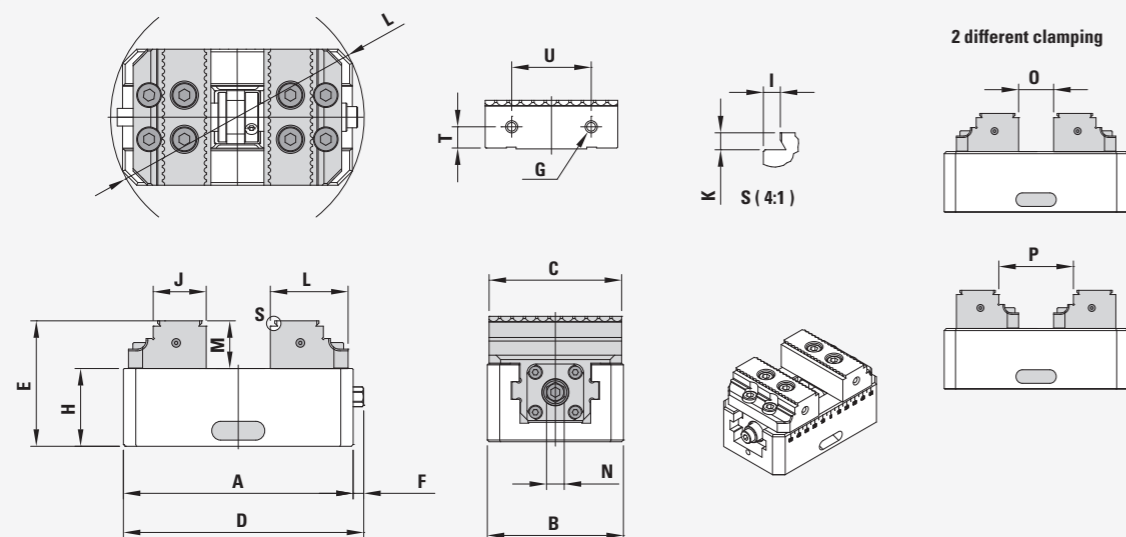
Vise body is made of steel SCM440. It has been carburizing heat treated to maintain the accuracy and precision.

Double-sided serrated jaws, clamping edge is required to be 3 mm, to save a lot material. The accuracy of repeatability within $\pm 0.015\text{mm}$.

Superior tool steel SCM440 jaw-plate has been carburizing heat treated the hardness to HRC54° for excellent stability.



DIMENSIONS



ITEM NO.	A	B	C	D	E	F	G	H	I	J	K	L	M	N	O	P	T	U	WEIGHT
AZV-310	102	77	77	108	70	6	M6	43	3	15	3	44	27	10	52	15-72	20	45	2.5kg
AZV-313	130	77	77	136	70	6	M6	43	3	15	3	44	27	10	80	43-100	20	45	3kg
AZV-317	170	77	77	176	70	6	M6	43	3	15	3	44	27	10	120	83-140	20	45	3.5kg
AZV-321	210	77	77	216	70	6	M6	43	3	15	3	44	27	10	165	123-180	20	45	4.5kg
AZV-516	160	125	124.7	164	89	4	M6	57	3	22	3	47	32	14	100	61-140	23	90	8.5kg
AZV-521	210	125	124.7	214	89	4	M6	57	3	22	3	47	32	14	150	111-190	23	90	10.5kg
AZV-526	260	125	124.7	264	89	4	M6	57	3	22	3	47	32	14	200	161-240	23	90	12.5kg
AZV-531	310	125	124.7	314	89	4	M6	57	3	22	3	47	32	14	250	211-290	23	90	14.5kg

AZ96A

36131 36132 36133

LOW PROFILE BASE ALUMINUM

1. Swap Vises & Fixtures Quickly

A standard mounting pattern allows for easy movement of vises, fixtures, and tooling from machine to machine no setup time.

2. High Accuracy

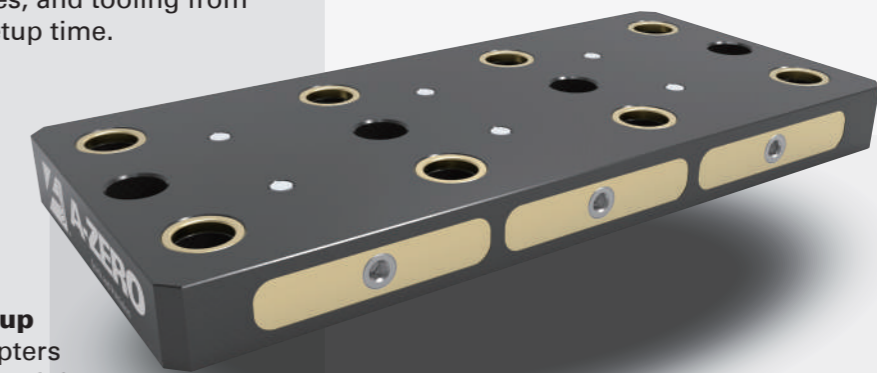
Patented free float design ensures equal force on all 4 pull studs guaranteeing repeatability of less than .0005mm.

3. Standardize Your Setup

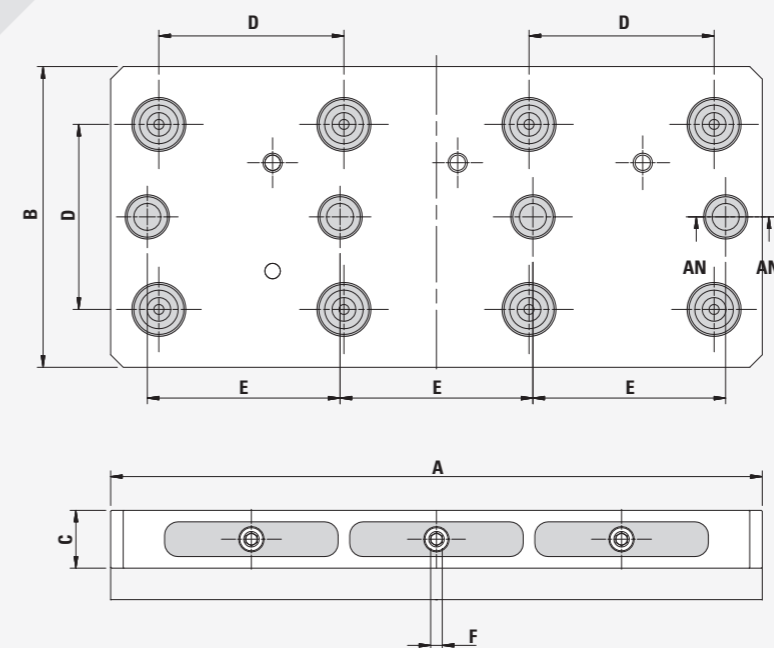
Stop building custom adapters and subplates for every new job that comes into the shop. Job changeover becomes simple and repeatable with the system, saving you time and money.

4. Easy Integration

Pull studs are easily integrated into existing fixtures and subplates. Standard 52mm and 96mm spacing allow for compatibility with competitive systems.



DIMENSIONS



ITEM NO.	A	B	C	D	E	F	G	WEIGHT
AZ96A-36131	338	158	30	96	96	6	M12	9kg
AZ96A-36132	338	158	30	96	80	6	M12	9kg
AZ96A-36133	338	158	30	96	100	6	M12	9kg